



Senator 22' Paratransit



Improve fuel economy by up to 40%
and reduce your maintenance costs by up to 30%

Parallel Hybrid Electric - Ford E450 Cutaway

Azure Dynamics (AZD) develops hybrid electric and electric drive technology for commercial trucks and shuttle buses. Working in collaboration with Ford Motor Company, AZD has developed a parallel hybrid electric drive system for Ford's E450 Cutaway and Strip Chassis trucks. The parallel hybrid drive system manages the conventional 5.4 litre Triton gas engine and the 5-speed automatic TorqShift transmission to produce a cleaner, more fuel efficient vehicle for your business needs. The hybrid features electric-launch assist, engine-off at idle and regenerative braking which combine to improve fuel economy and reduce greenhouse gas emissions.

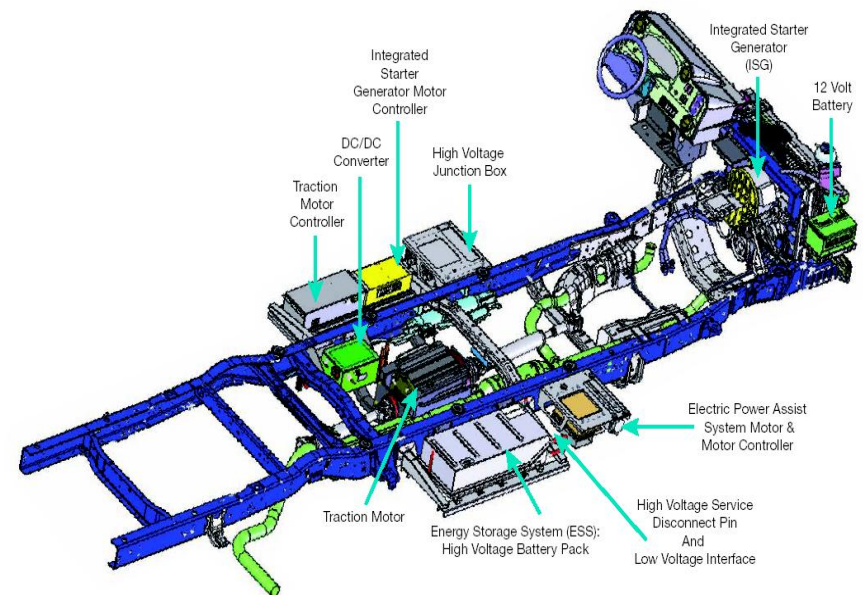
Parallel Hybrid Vehicles

The parallel hybrid electric Ford E450 offers you a clean alternative for your fleet needs today. Depending on your duty cycle you can experience up to 40 percent fuel economy improvement, up to 30 percent reduction in greenhouse gas emissions, and up to 30 percent lower maintenance costs.

The parallel hybrid electric Ford E450 can make a difference to your bottom line and your carbon footprint.

Some specifications for you to consider:

- E450 Stripped & Cutaway Chassis available starting in model year 2008
 - GVWR up to 14,500 lbs
 - 5.4L Gas engine with Torqshift automatic transmission
 - 158 or 176 inch wheelbase
 - Minimum body width requirement of 86 inches
- In addition, a parallel hybrid electric Ford E350 Stripped & Cutaway Chassis will be available in fall of 2008.



We drive a world of difference

Call: 877.258.1391